

Males for connector

Unimaterial Power Terminal

Figure	Part number	Wire size mm ² (AWG)	∅ Insulation (mm)	Tongue thickness (mm)	Bronze Pre-Sn 31	Cu. Alloy Pre-Sn 51	Material thickness (mm)
	1,6 x 0,6						
	9311.**	0,2-0,5 (24-20)	1,15-1,6	1.6x0.6	•	•	0,32
	9312.**	0,5-1 (20-18)	1,4-2,1		•	•	
9313.**	1-1,5 (18-16)	2,2-2,4	•		•		



Receptacles for connector

2.8 mm Power terminal

Figure	Part number	Wire size mm ² (AWG)	Ø Insulation (mm)	For male (mm)	Material		Material thickness (mm)	Winding number
					Bronze Pre-Sn 31	CuFe Pre-Sn 41		
	9301.**	0,5-1 (20-18)	1,4-2,3	2,8x0,8	•	•	0,32	5000
	9305.**	1-2,5 (18-14)	2,1-3,1		•	•		4000



Males for connector

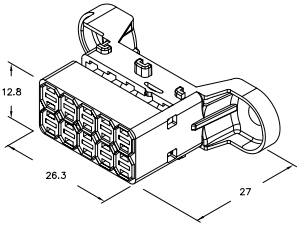
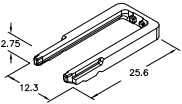
Unimaterial Power Terminal

Figure	Part number	Wire size mm ² (AWG)	Ø Insulation (mm)	Tongue thickness (mm)	Material		Material thickness (mm)	Winding number
					Cu. Alloy Pre-Sn 51			
	2.8 x 0.8				•		0,32	4000
	9302.**	0,2-0,5 (24-20)	1,15-1,6	2,8x0,8	•			3500
	9303.**	0,5-1 (20-18)	1,4-2,1		•			3000
	9304.**	1,25-2,5 (16-14)	2,2-3		•			



Males for connector

Male Connectors

Figure	Part number	Ways	PA66V2
	10 ways Connector 9001777	10	•
	Secondary Lock 9005098	10	•