

Receptacles for connector

Receptacles for connector

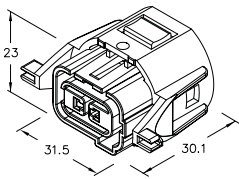
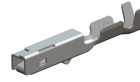
Figure	Part number	Wire size mm ² (AWG)	∅ Insulation (mm)	For male (mm)	Cu. Alloy Pre-Sn 81	Material thickness (mm)	Winding number
	8681.**	0,35-0,5 (22-20)	STD	1,5x0,8	•	0,25	6000
	8683.**	0,5-1 (20-18)					5000
	8685.**	1-1,5 (18-16)					
	SEAL		SEAL	1,5x0,8	•	0,25	5000
	8677.**	0,35-0,5 (22-20)					
	8679.**	0,75-1 (18)			•		



Receptacles for connector

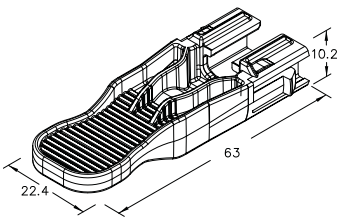
Connectors

Figure	Part number	Ways	PA66V2 Black	PBT-GF20 Black	PBT-GF20 Gray
	2150**	2	<input type="checkbox"/>	<input checked="" type="checkbox"/>	<input type="checkbox"/>



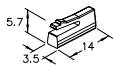
UP-LES receptacles holder

2150**	2	<input type="checkbox"/>	<input checked="" type="checkbox"/>	<input type="checkbox"/>
---------------	---	--------------------------	-------------------------------------	--------------------------



Extender PSY24 for connector 215095

2151**		<input checked="" type="checkbox"/>	<input type="checkbox"/>	<input type="checkbox"/>
---------------	--	-------------------------------------	--------------------------	--------------------------




Secondary Lock clamp for 215095

2152**		<input type="checkbox"/>	<input type="checkbox"/>	<input checked="" type="checkbox"/>
---------------	--	--------------------------	--------------------------	-------------------------------------

Receptacles for connector


P13W Lamp connector

Figure	Part number	Ways	PBT-GF20 Black
	21553**	2	<input checked="" type="checkbox"/>



Security clip P13W

Figure	Part number	PBT-GF20 Gray
	21554**	<input checked="" type="checkbox"/>



Males for connector

Tabs for connector

Figure	Part number	Wire size mm ² (AWG)	∅ Insulation (mm)	Tongue thickness (mm)	Cu. Alloy Pre-Sn 51	Material thickness (mm)	Winding number
	6481.**	0,35-0,5 (22-20)	STD	1,5X0,8	•	0,3	7000
	6483.**	0,5-1 (20-18)					6000
	6485.**	0,5-1,5 (20-16)					5000
	6477.**	0,35-0,5 (22-20)	SEAL	1,5X0,8	•	0,3	5000
	6479.**	0,75-1 (18)					

